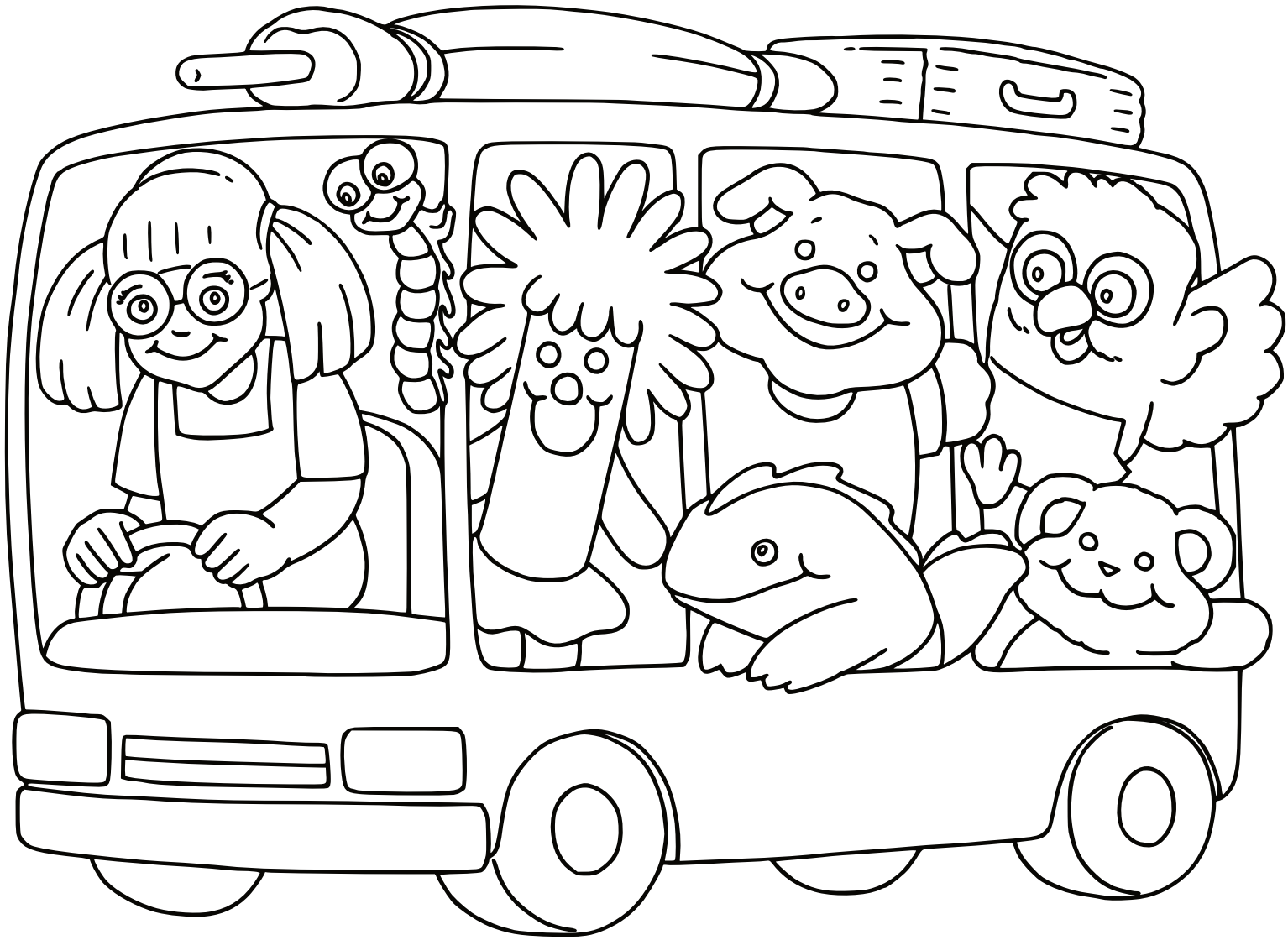


Suzy's Show



www.suzy.co.nz

SOUNDS FUN
FOR KIDS

SUZYCATO and friends

Name _____

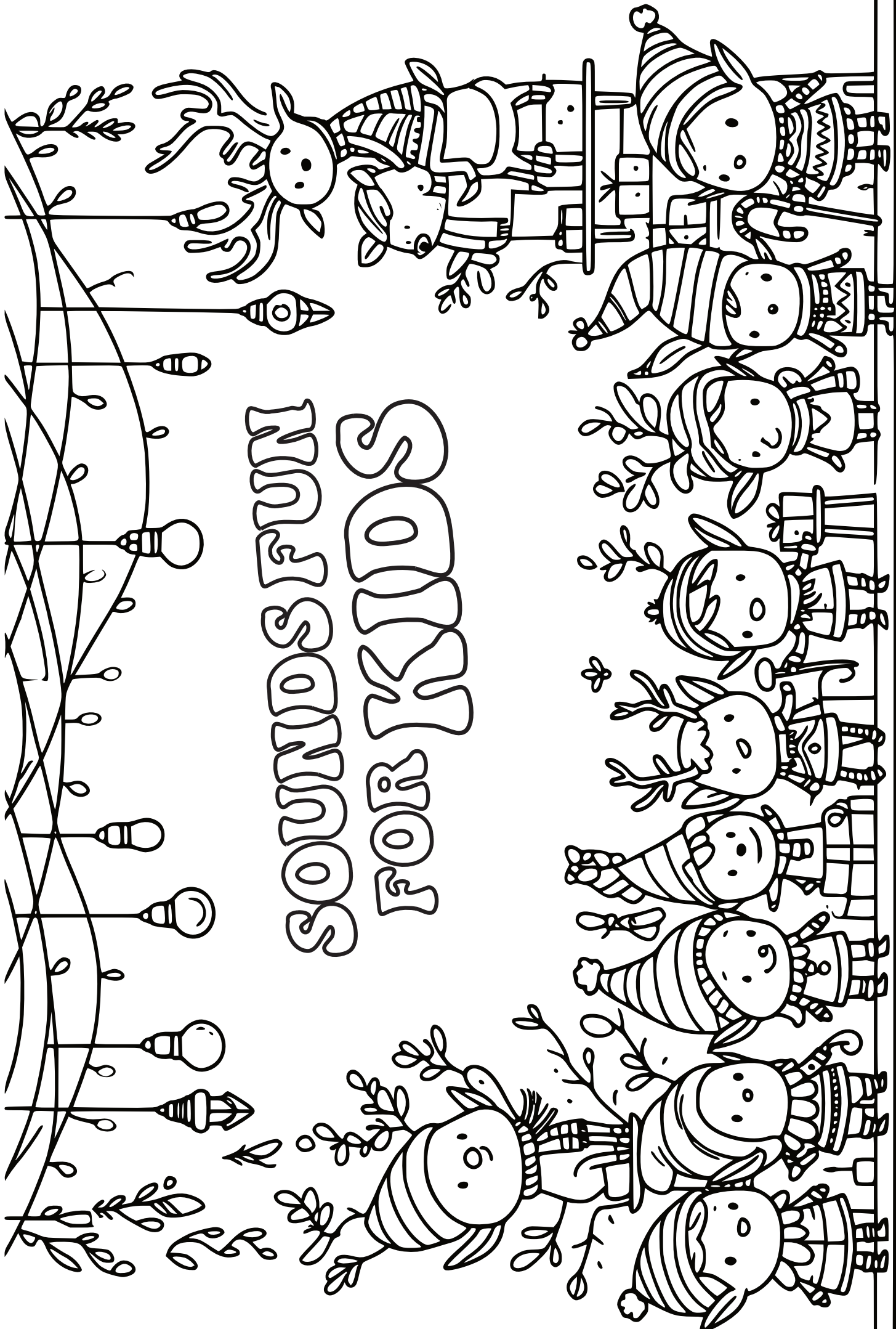
Age _____



Suzy and the crew plan a new TV show

<https://suzy.co.nz/colourme/>

SOUNDS FUN FOR KIDS



SUZYCATO and friends

Name.....

Age.....



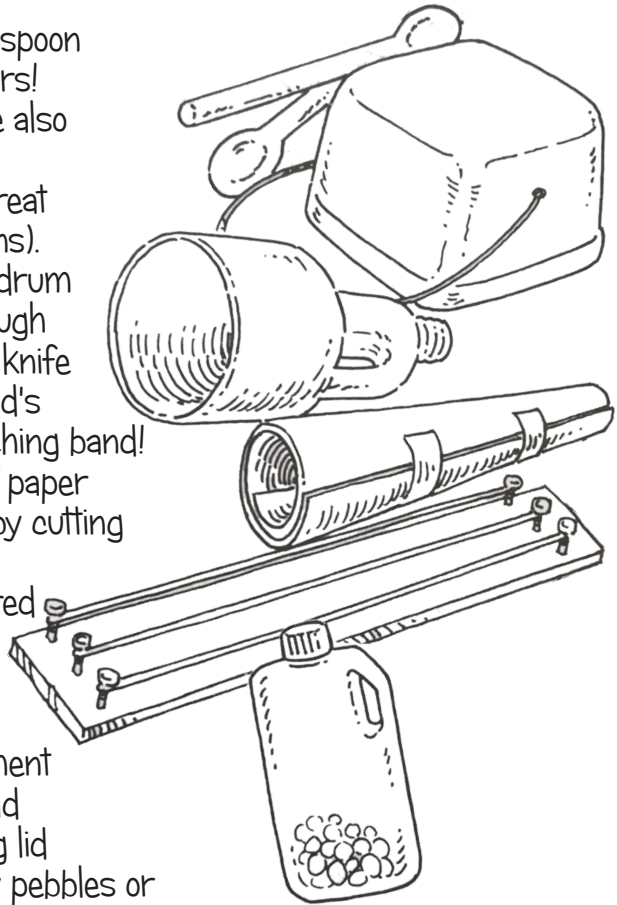
Suzy and friends colour in their world

suzy.co.nz

MUSICAL INSTRUMENTS

Musical instruments are great fun, but the spoon and saucepan can be a little hard on the ears! Here are some quieter suggestions that are also fun to make.

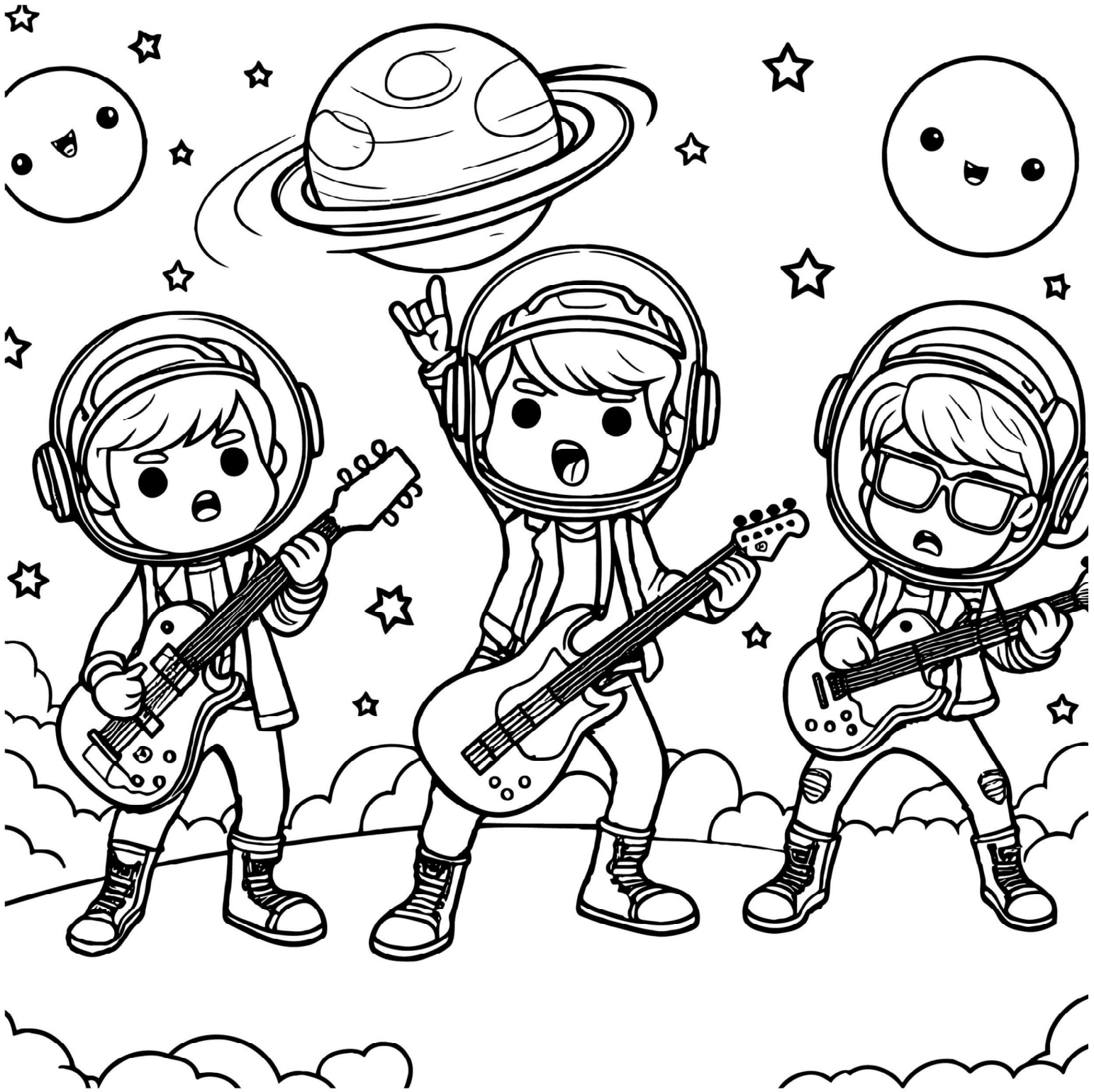
- ★ Old plastic ice-cream containers make great drums (and they are quieter than saucepans). Several can be set up in a circle to make a drum kit. Or you can attach a ribbon or cord through two holes cut in the container with a sharp knife to make a strap that can go around the child's neck. Great for pretending you're in a marching band!
- ★ Trumpets are easily made with a cone of paper rolled into shape and taped into place - or by cutting an old plastic milk container in half.
- ★ A piece of wood with three nails hammered in at both ends and three rubber bands stretched between them can make a pretty good guitar.
- ★ Shakers are a very easy musical instrument to make and the options are endless. Any old plastic container or bottle with a good fitting lid will do the job. You can fill shakers with tiny pebbles or something from the kitchen cupboard like dried beans or rice.



- ★ Of course you can decorate your music instruments any way you like

Originally published in Suzy Cato and friends activity book 1996

ROCKSTARS IN SPACE



Colour in and tag us in your work!

 rockshopnz

 rockshop.new.zealand



NZ UKULELE TRUST

UKULELE ART

Some ideas for your design:

- ~ 'Kiwiana' (what being a Kiwi means to you)
- ~ 'Māori/Pasifika/World Music' (traditions, culture, art)
- ~ 'Outside the Box' (explore your creativity)
- ~ Decorate with felt pens, pastels, paints, string, glitter, stickers ... give your design the WOW factor!

