

# SUZYCATO and friends

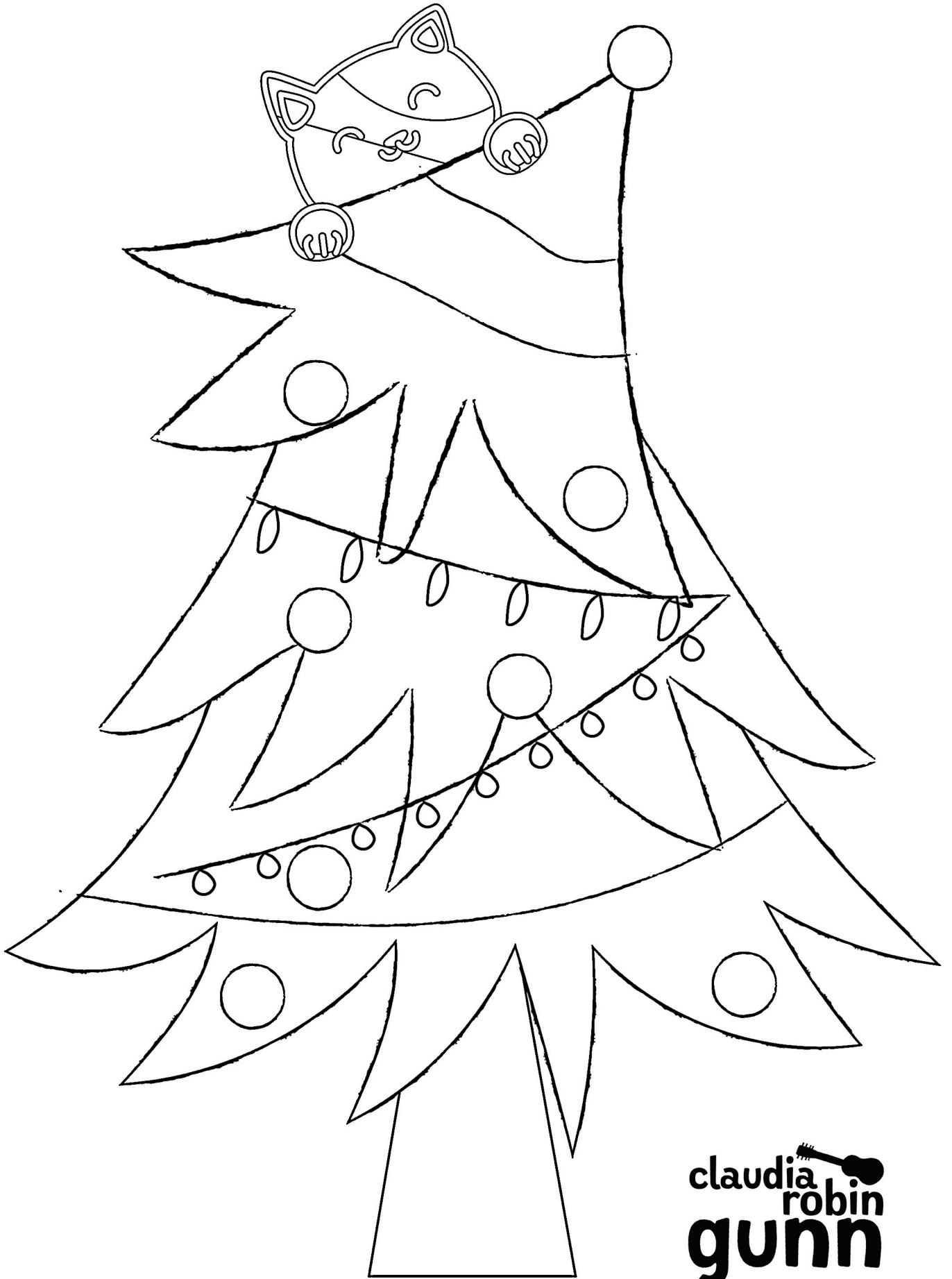
Name \_\_\_\_\_

Age \_\_\_\_\_



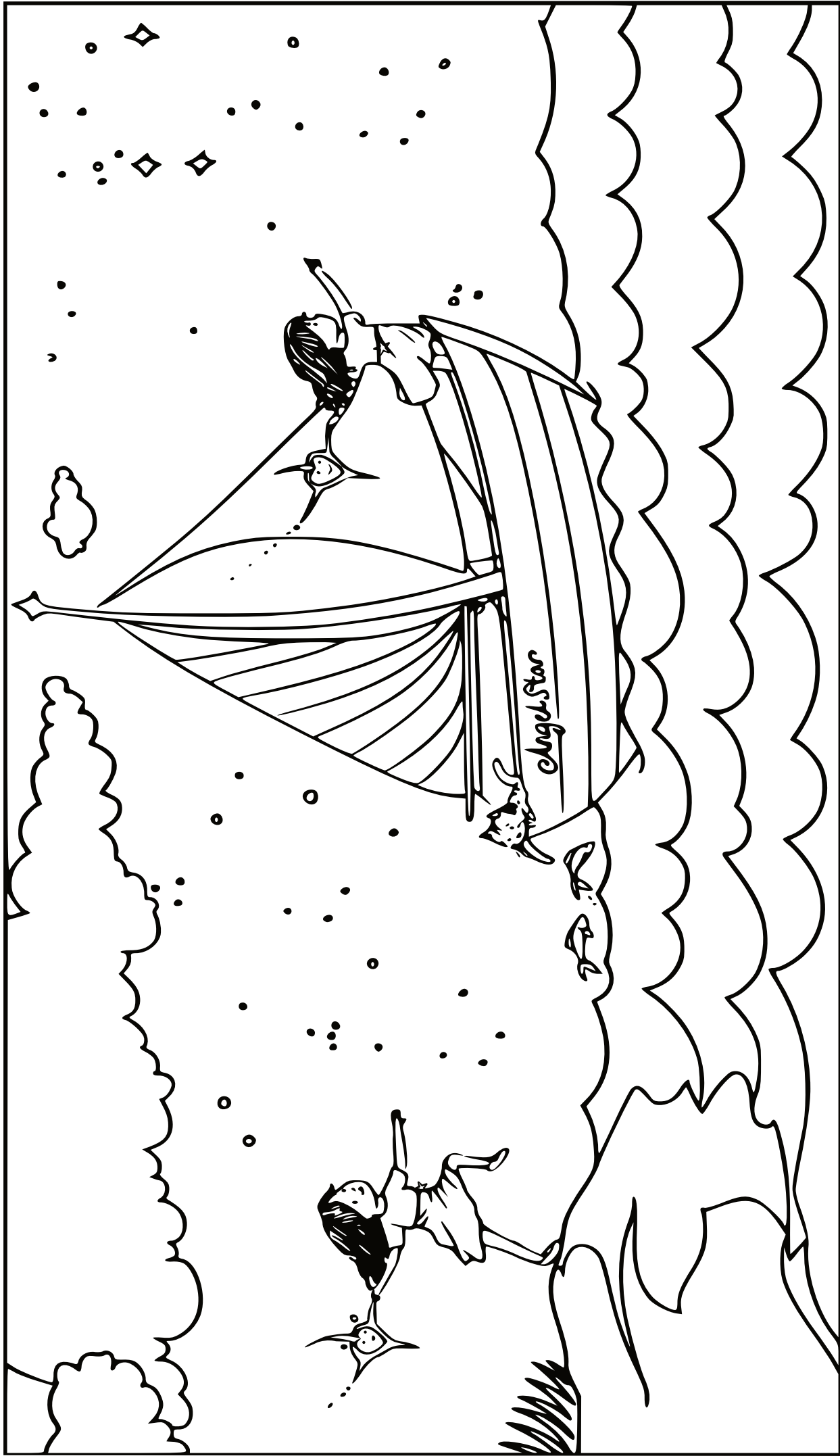
It's picnic time for Suzy and friends.

<https://suzy.co.nz/colourme/>



claudia  
robin  
gunn

**CAT IN THE CHRISTMAS TREE**

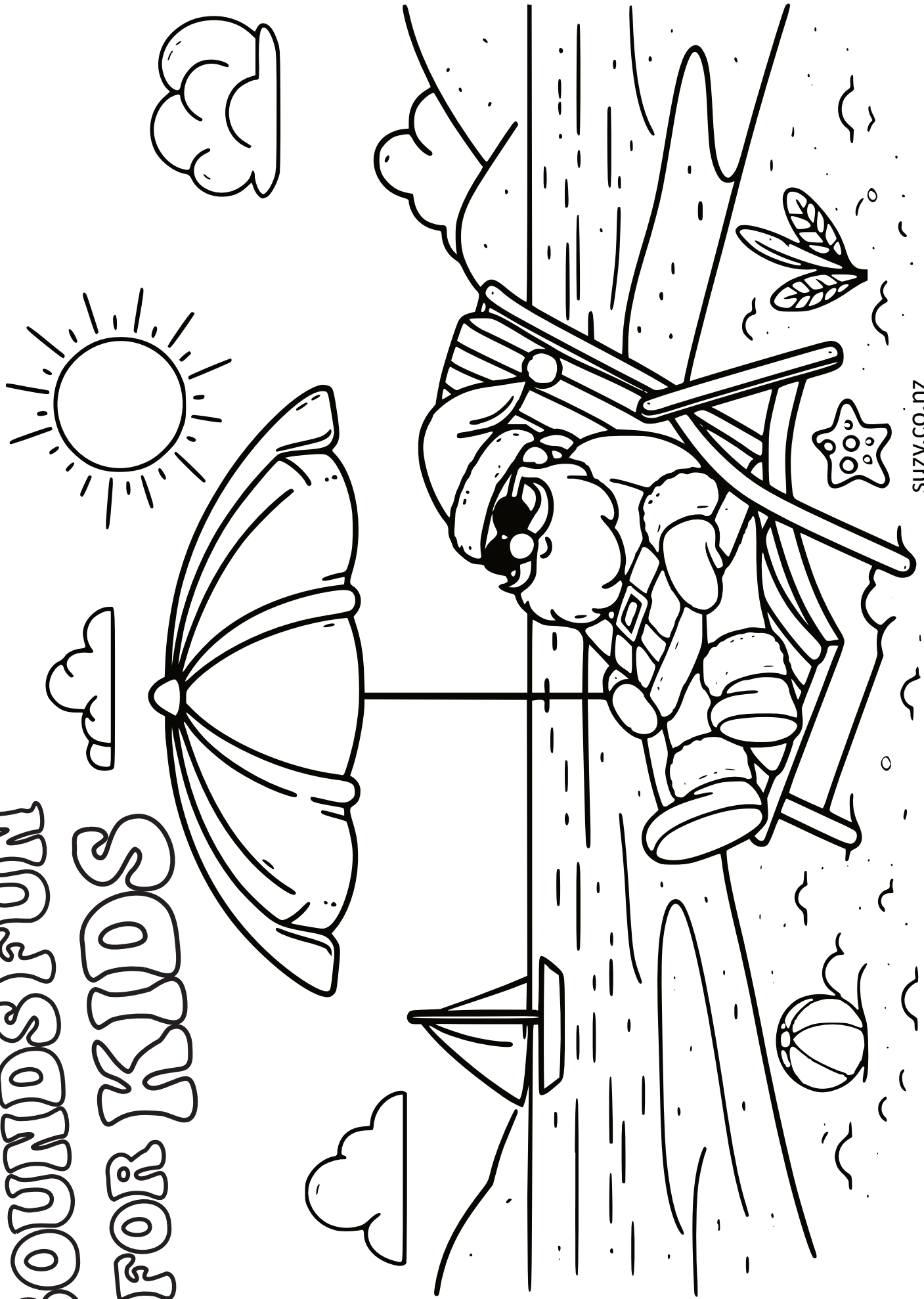


# SPELLODIES!

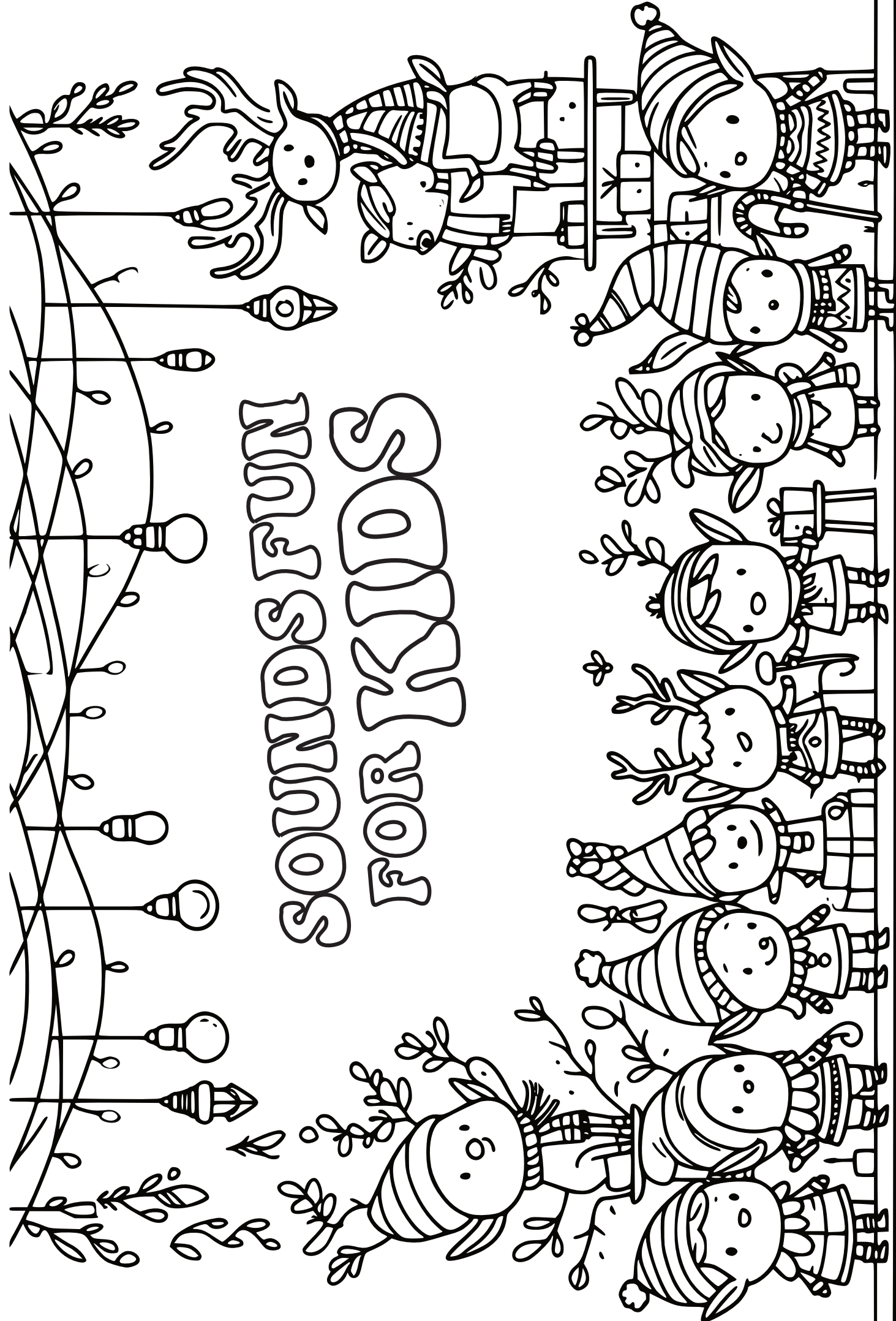


[www.youtube.com/@spellodies](http://www.youtube.com/@spellodies)

# SOUNDS FUN FOR KIDS



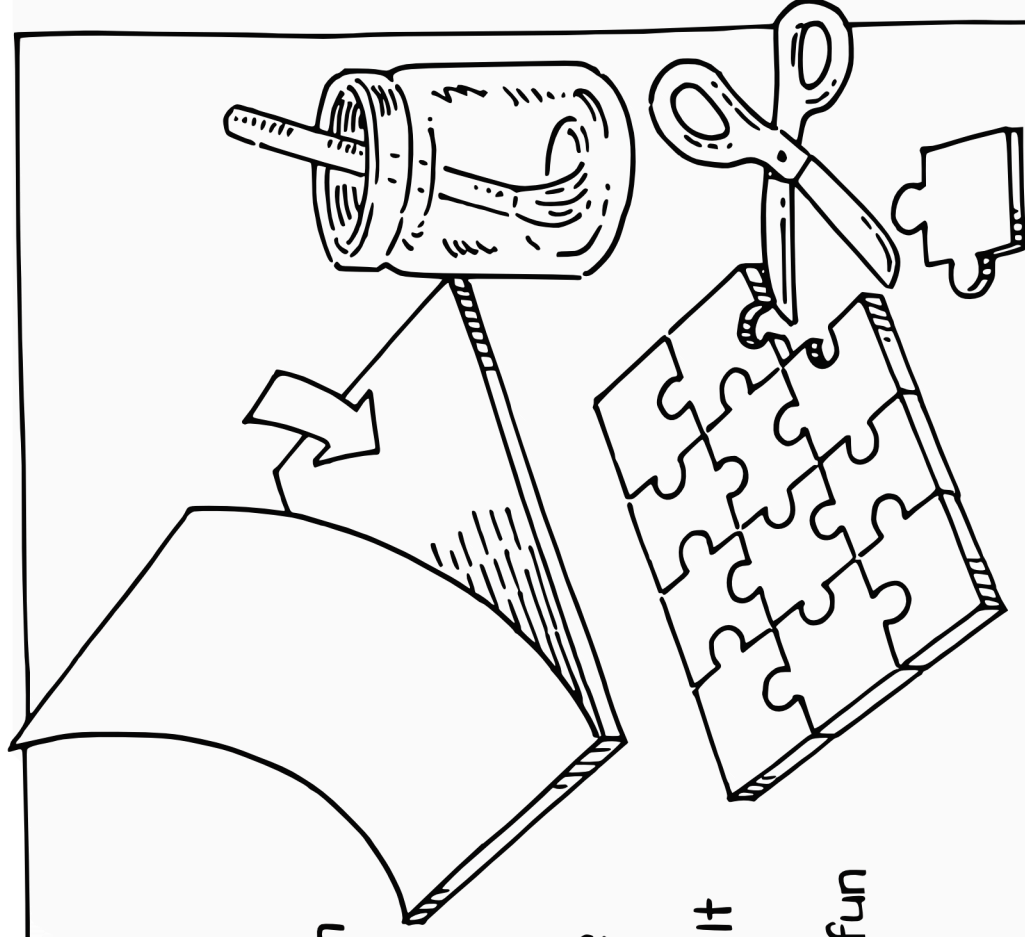
# SOUNDS FUN FOR KIDS



# JIGSAWS

Once the activity pages have been coloured in, many of the pictures can be used as jigsaws.

Glue the finished picture onto a piece of thick cardboard and on the reverse side draw a pattern suitable for the ability of the child.  
(A jigsaw can be made more difficult by creating more pieces.)  
Then cut out the pieces and have fun trying to put them together again.



# ROCKSTARS IN SPACE



Colour in and tag us in your work!

 [rockshopnz](https://www.instagram.com/rockshopnz)  [rockshop.new.zealand](https://www.facebook.com/rockshop.new.zealand)