

SUZYCATO and friends

Name.....

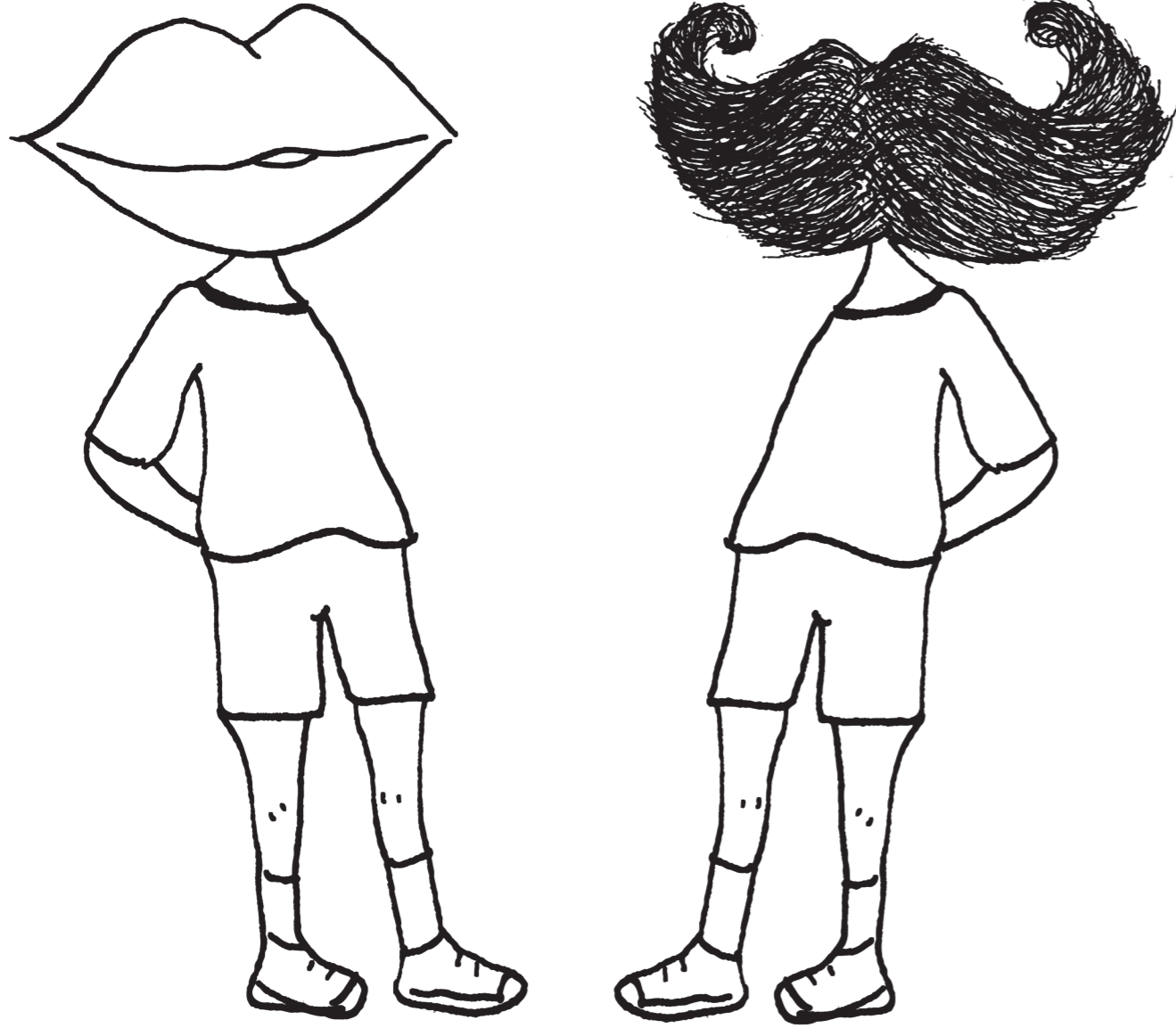
Age.....



Suzy and friends colour in their world

suzy.co.nz

SPELLODIES!

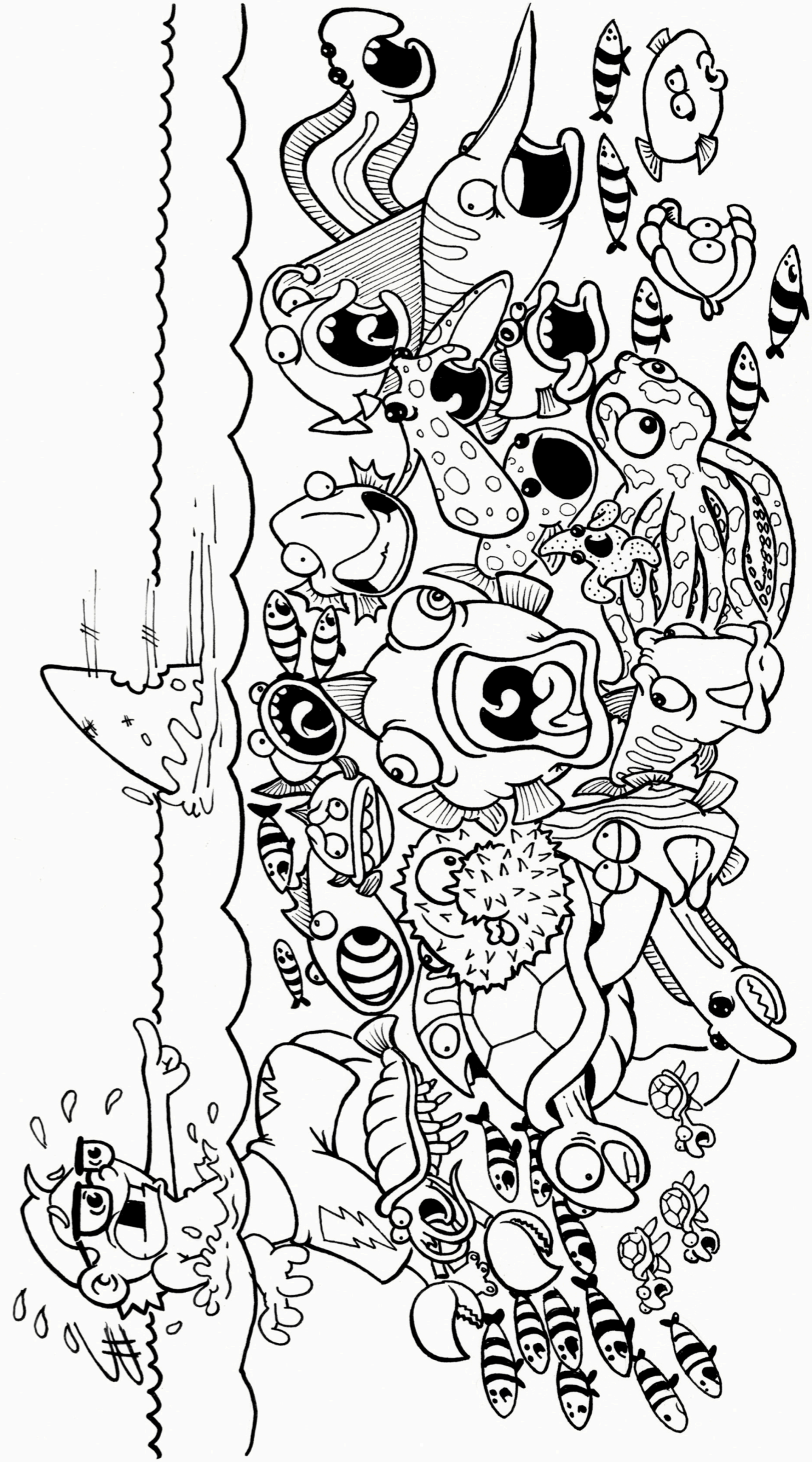


www.youtube.com/@spellodies

Name: _____
Age: _____

GERRY PAUL

FB@GerryPaulWackyTales

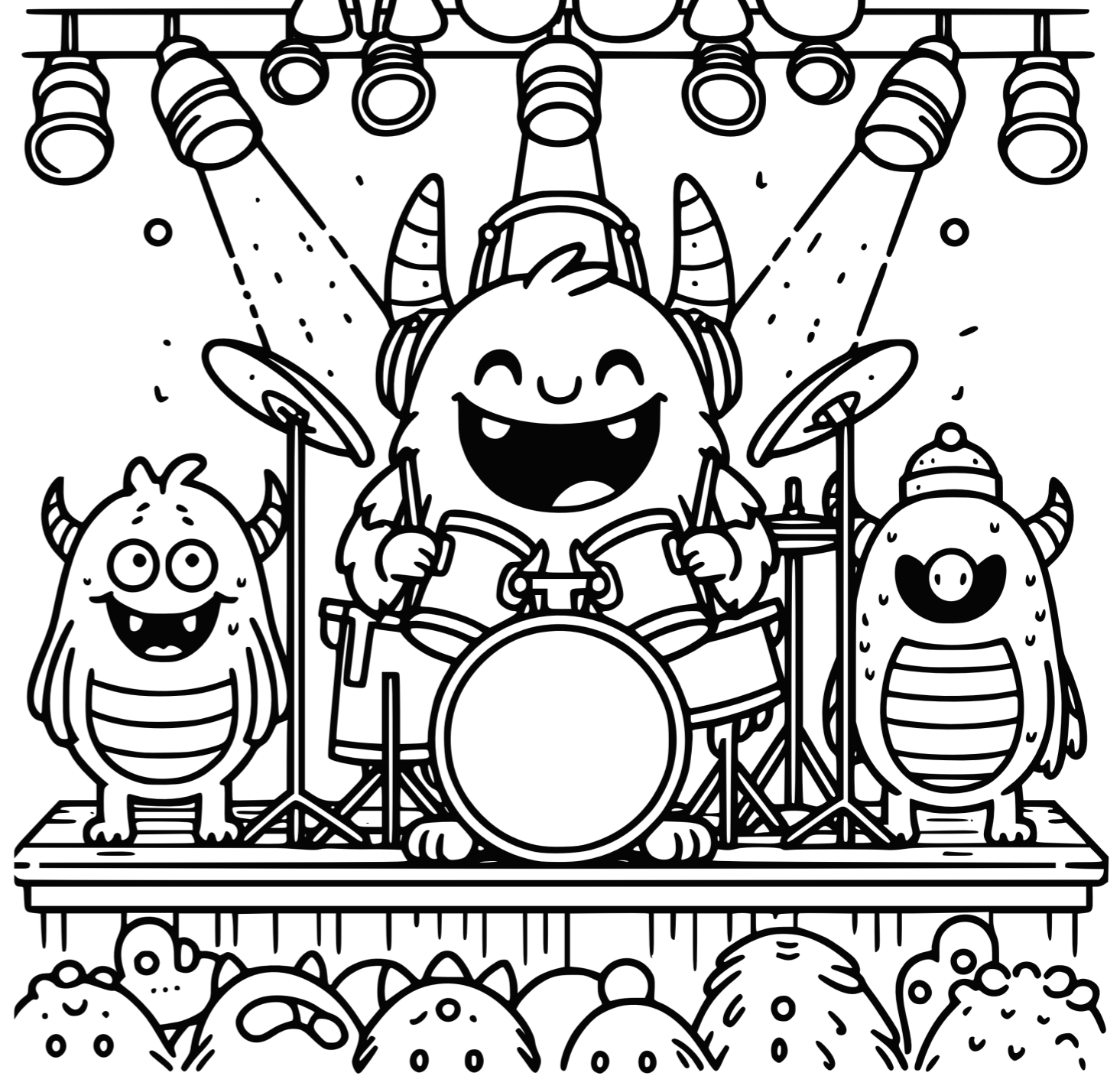


MONSTER MUSIC



SOUNDSFUN.NZ

MONSTER MUSIC



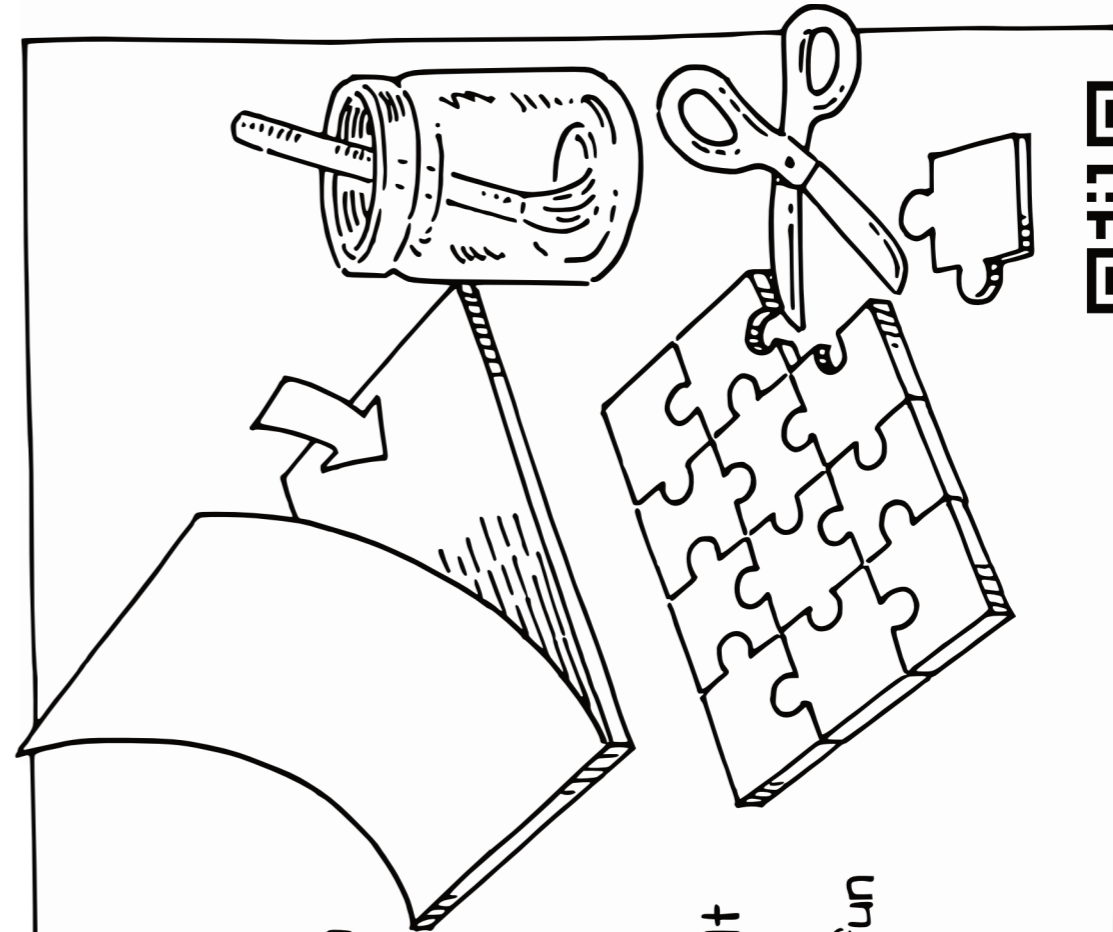
SOUNDSFUN.NZ

ROCKSTARS IN SPACE



Colour in and tag us in your work!

 rockshopnz  rockshop.new.zealand



JIGSAWS

Once the activity pages have been coloured in, many of the pictures can be used as jigsaws. Glue the finished picture onto a piece of thick cardboard and on the reverse side draw a pattern suitable for the ability of the child. (A jigsaw can be made more difficult by creating more pieces.) Then cut out the pieces and have fun trying to put them together again.